

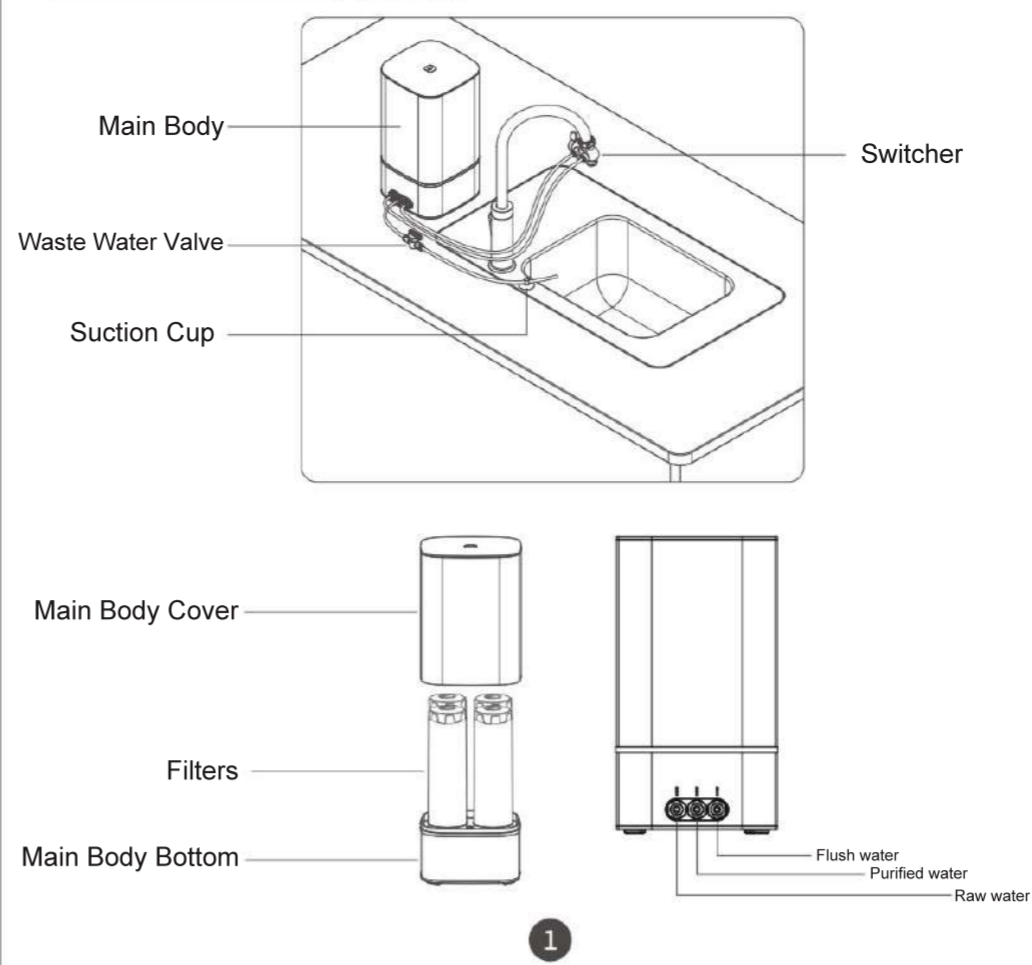
Living Water IV

BY ECOQUEST

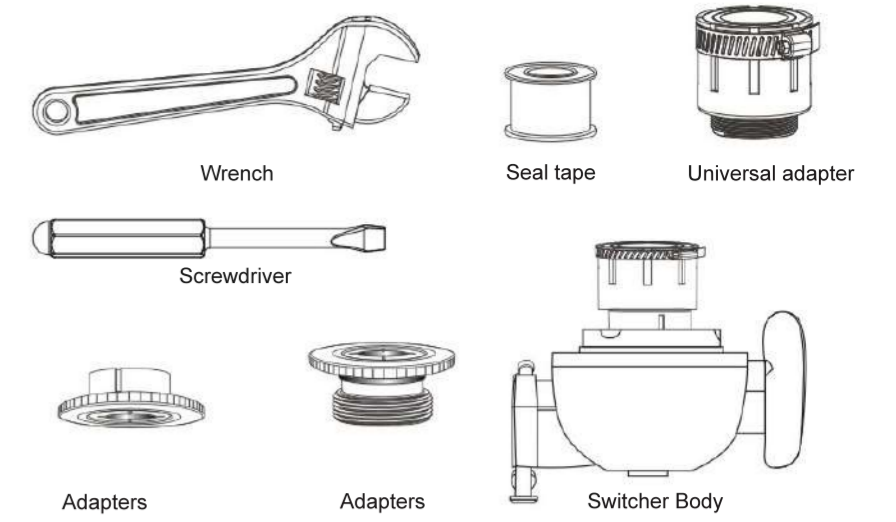
Catalog

Overview	01
Installation Accessories	02
Switcher Overview	03
Installation	04-07
Mainbody Installation	08
Filter Replacement	09
Usage Instruction	10
Important	11
Specifications	12
Warranty	13

Overview

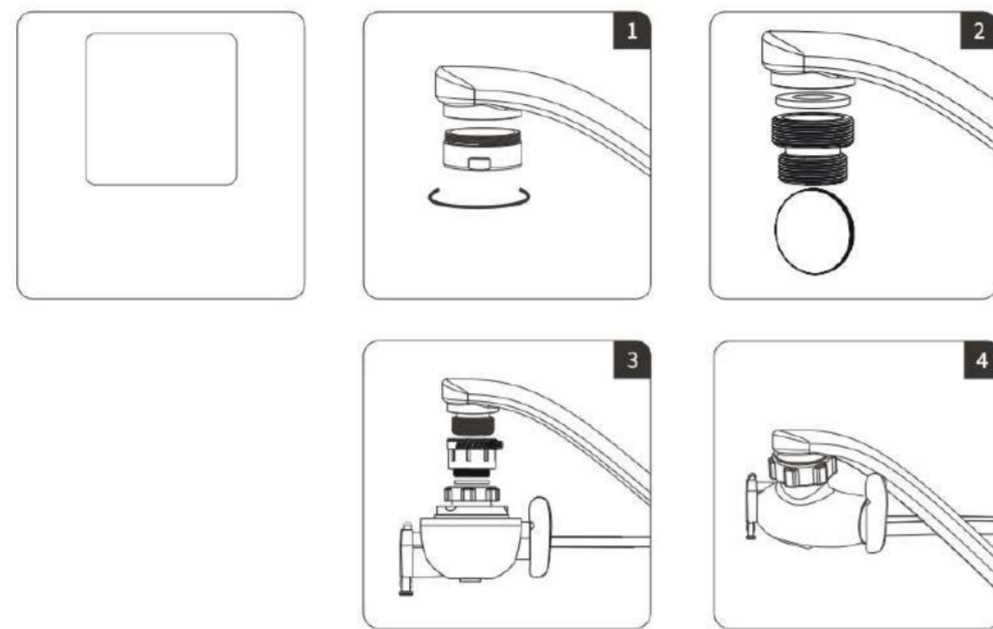


Installation Accessories



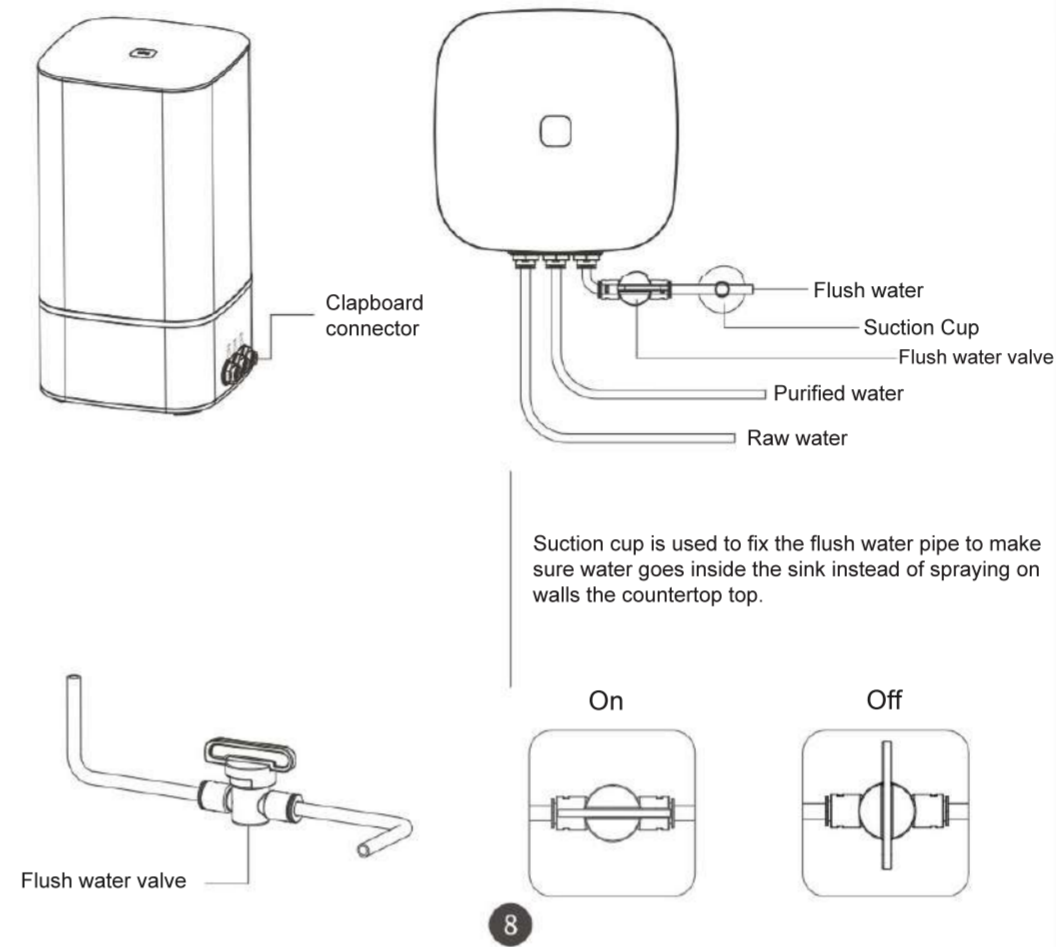
Note:
1. You may need the wrench to take off the bubbler.
2. You may need screwdriver to tighten the hose clamp.

Installation



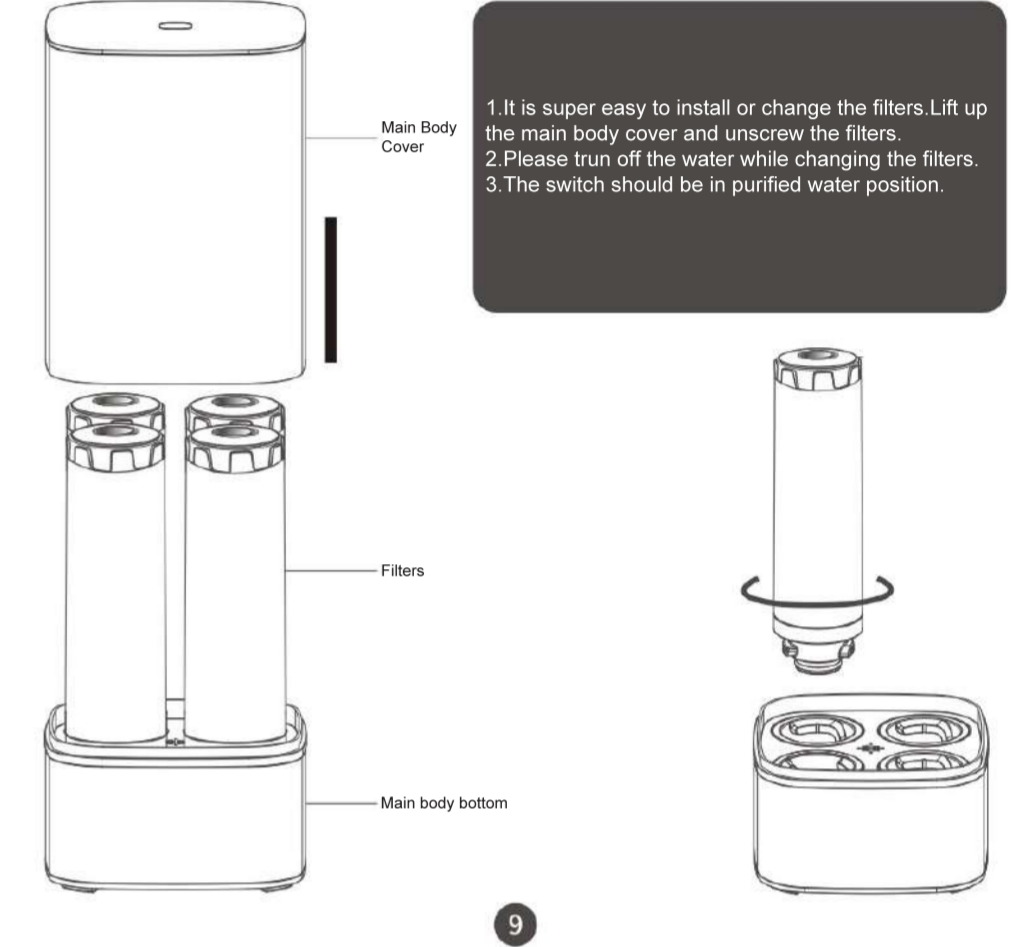
1. Take off the bubbler and keep the O-ring of the bubbler.
2. Screw in the male-male adapter with the screwdriver. (Do not forget the O-ring)
3. Install the switcher onto the male-female adapters. (Do not forget the O-ring)
4. Please check if there is any water leakage after installation.

Mainbody Installation



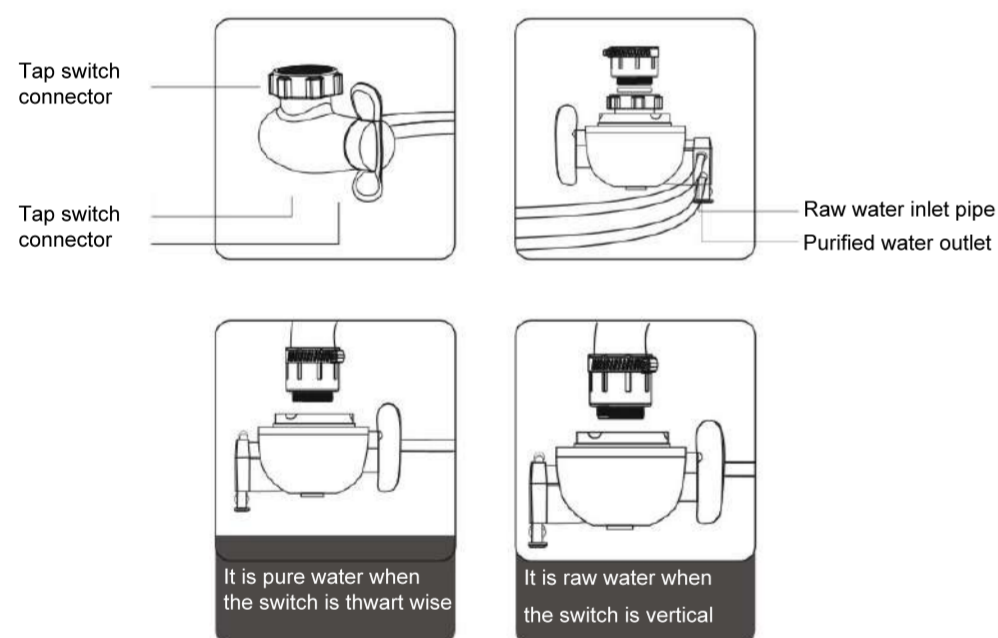
Suction cup is used to fix the flush water pipe to make sure water goes inside the sink instead of spraying on walls the countertop top.

Filter Replacement

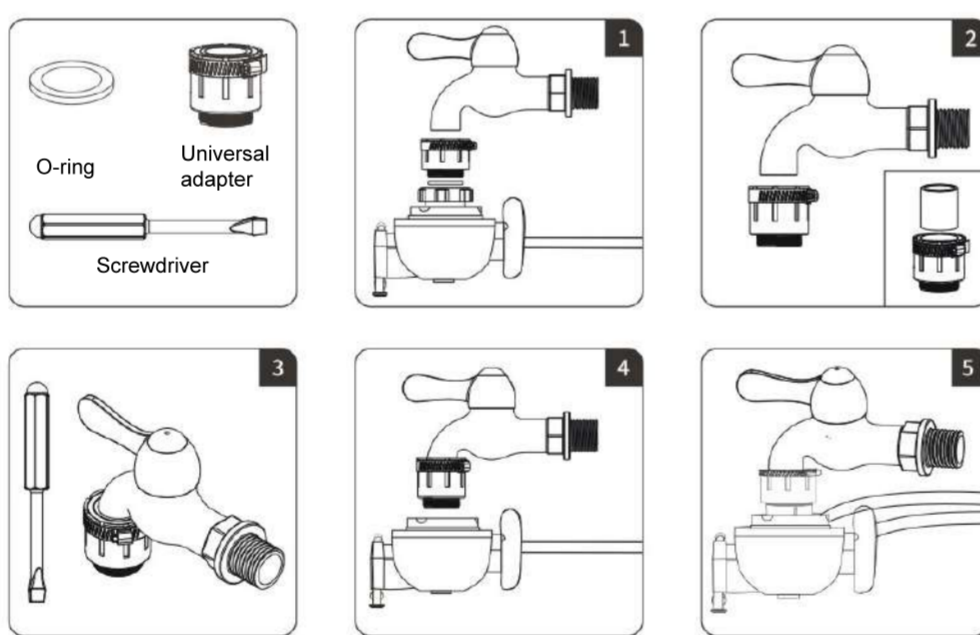


1. It is super easy to install or change the filters. Lift up the main body cover and unscrew the filters.
2. Please turn off the water while changing the filters.
3. The switch should be in purified water position.

Switch Overview

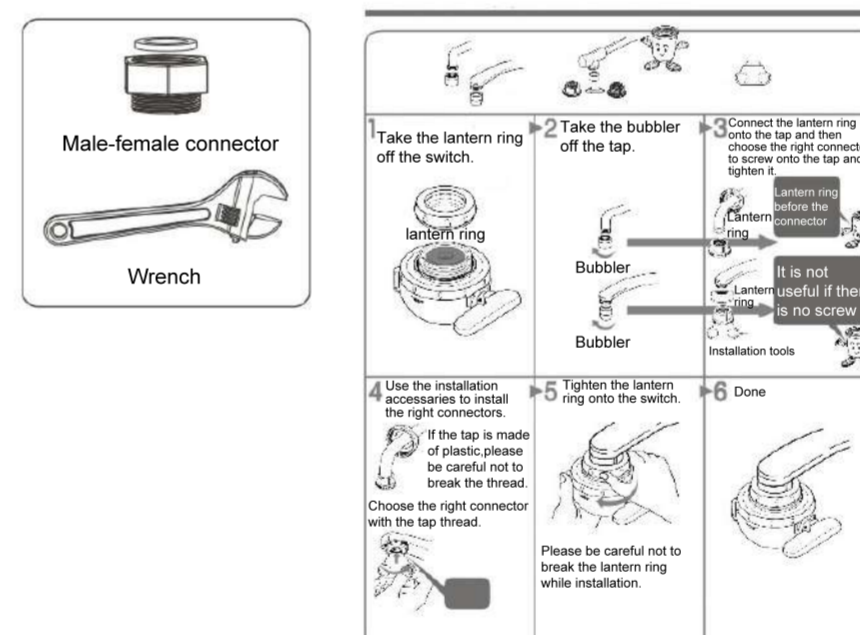


Universal



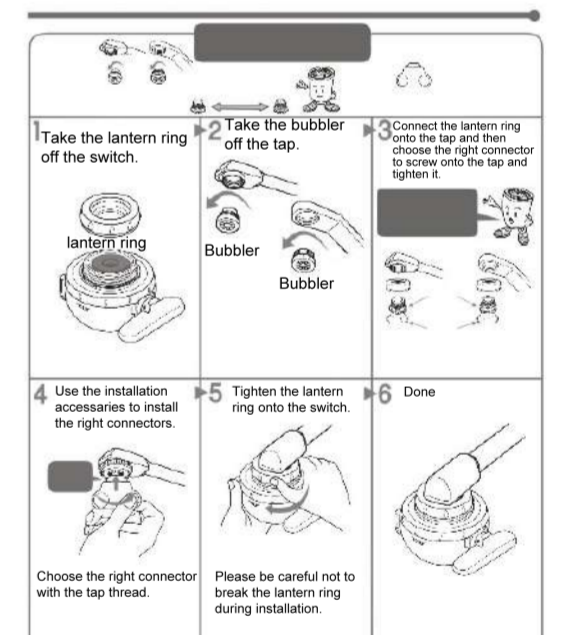
In installation with Universal Adapter, use screwdriver to tighten screw.

Male-Female



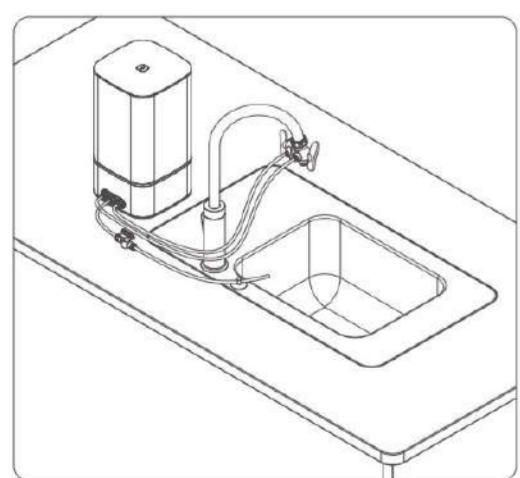
1. Take off the bubbler of the male tap. Install the female connector onto the male tap, do not forget the o-ring, please use the seal tape if the tap thread is sliding.
2. Install the lantern ring of switch onto the male tap.
3. Please check for water leaks after installation.

Installation



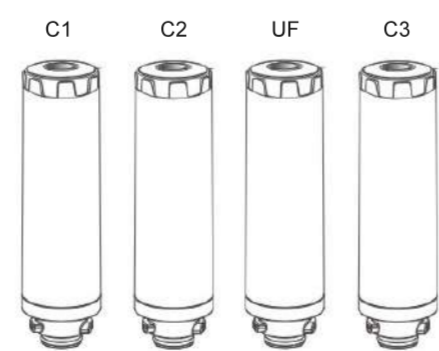
1. Take off the bubbler of the male tap
2. Install the right connector onto the male tap. (do not forget the o-ring)
3. Please check for water leaks after installation.

Usage Instruction



Note:
Turn the switch to pure water and open the flush water valve to flush the carbon dust before using your new purifier.

Important



Pre-Carbon block + Carbon block + UF+ Diamond crystal carbon

Note:
Please change all filters every 6 months.

List and Specification

Name	Living Water
Model	4
Accessories	Switch, male-male connector, universal connector, male-female connector and O-ring, flush water valve, PE pipes, user manual.

Raw water type	Municipal water
Water temperature	41-113 °F
Pure water flow	≥1.2L/Min
Filtration types	4 stages

EcoQuest (888)664-1812

www.ecoquestpurifiers.com